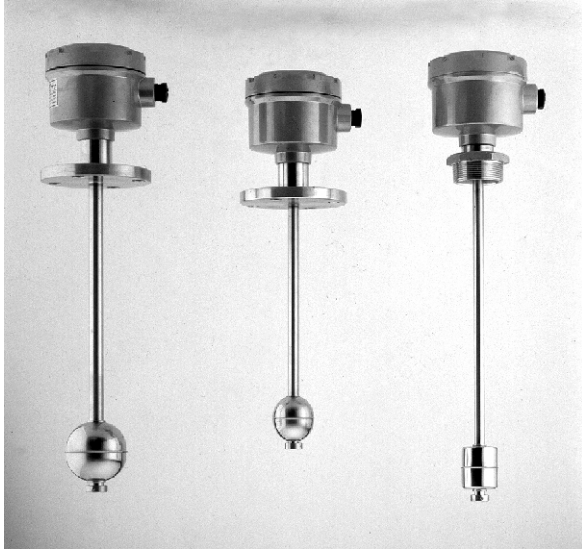
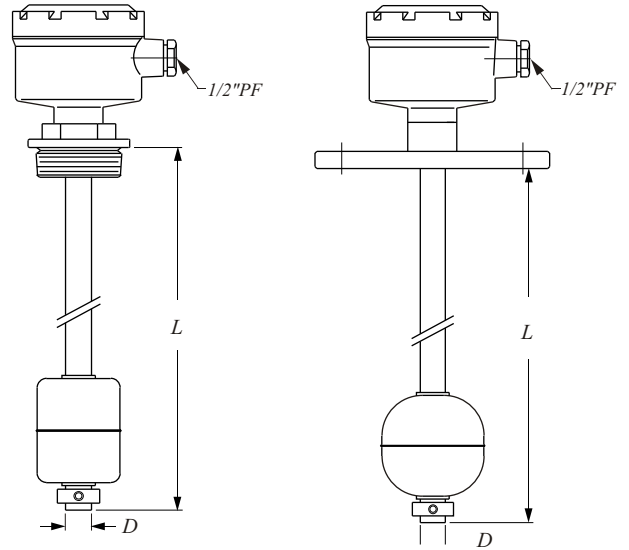


STANDARD



★ B type housing, dimension see page 2.



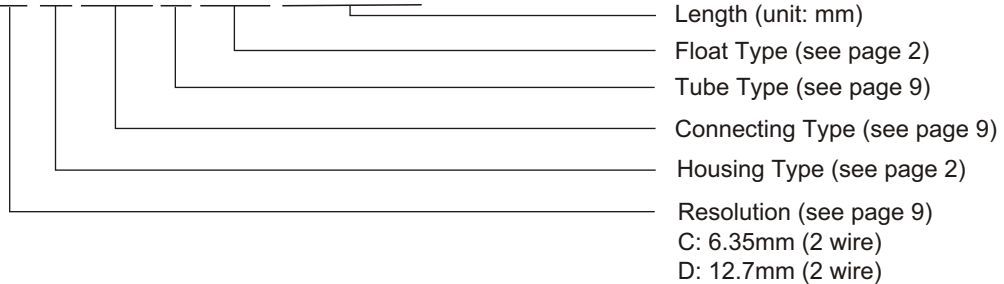
● SPECIFICATION

Terminal Housing: Aluminum, IP65
Output: 4~20mA, 2-wire resistance output

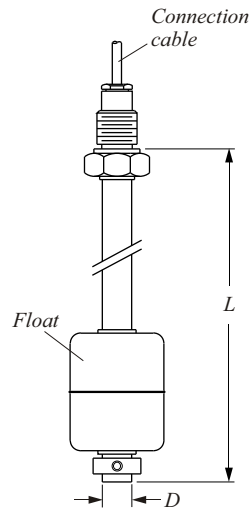
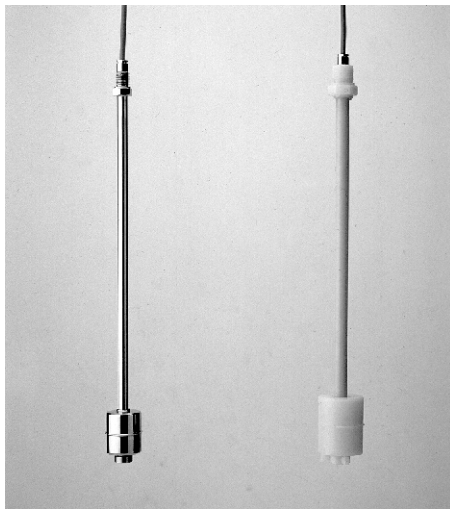
Operating Temp.: -20 °C ~ 120 °C
Ambient Temp.: 60 °C

Order No.	Connecting	Tube size & Material (D)	Float type & Material	Suitable S.G.	Measuring Range
FG□BFQ4	2"NPT	φ14 SUS 316 SUS 304	S3: φ45x55 SUS 316 S4: φ52x52 SUS 316	>0.5	FGC/D...Max.6M
FG□BGN4	2-1/2"x10kg/cm ²	φ14 SUS 316 SUS 304	S3: φ45x55 SUS 316 S4: φ52x52 SUS 316	>0.5	FGC/D...Max.6M
FGDBHN7	3"x10kg/cm ²	φ17.2 SUS 304	S5: φ75x73 SUS 304 S6: φ75x108 SUS 304	>0.45	FGD...Max.6M
FGDBIQ7	4"NPT	φ17.2 SUS 304	S8: φ100x100 SUS 304	>0.5	FGD...Max.6M
FGDBKN8 FGDBKN9	6"x10kg/cm ²	φ21.7 SUS 304 φ27.2	S9: φ150x150 SUS 304	>0.45	FGD...Max.12M

MODEL : FG□ B □ □ □ □ □ □ □ □ □ □



ECONOMICAL



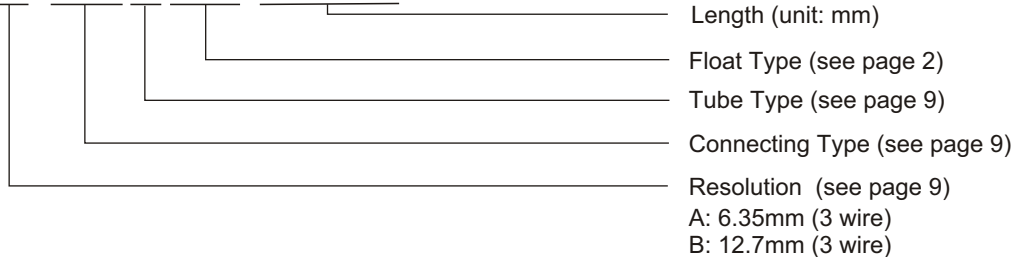
● SPECIFICATION

Connection Cable: Silicon cable 3C × 1M
Output: 3-wire resistance output
Ambient Temp.: 60 °C

Operating Temp.: PP tube -10 °C ~ 80 °C
 PVDF tube -20 °C ~ 120 °C
 SUS tube -20 °C ~ 120 °C

Order No.	Connecting	Tube size & Material (D)	Float type & Material	Suitable S.G.	Measuring Range
FG□-AR4	3/8"PF	φ14 SUS 304 SUS 316	S3: φ45x55 SUS 316 S4: φ52x52 SUS 316	>0.5	FGA...Max.6M FGB...Max.6M
FG□-AR7	3/8"PF	φ17.2 SUS 304	S5: φ75x73 SUS 304 S6: φ75x108	>0.5	FGA...Max.6M FGB...Max.6M
FGB-CR5P3	3/4"PF	φ17.2 PP	P3: φ48x45 PP	>0.6	FGB...Max.6M
FGB-CR6F4	3/4"PF	φ16 PVDF	F4: φ48x60 PVDF	>0.8	FGB...Max.6M

MODEL : FG □ - □ □ □ □ □ □ □ □



HOUSING DIMENSION

B

Material : Aluminum
Enclosure : IP65
Max.Temp.: -20°C ~200°C

C

Material : P.P.+Fiber
Enclosure : IP65
Max.Temp.: -20°C ~80°C

D Explosion-proof

Material : Aluminum
Enclosure : NEPSI Ex d IIB T3~T6
ATEX II 2G EEx d IIB T3~T6
ATEX II 2D IP65 T3~T6
Max.Temp.: -20°C ~200°C

G

Material : PC
Enclosure : IP65
Max.Temp.: -20°C ~80°C

K Explosion-proof

Material : Aluminum
Enclosure : CESI 03 ATEX 108
 II 2G EEx d IIC T6
Max.Temp.: -20°C ~100°C

N Explosion-proof

Material : SUS316
Enclosure : NEPSI Ex d IIB T3~T6
ATEX II 2G EEx d IIB T3~T6
ATEX II 2D IP65 T3~T6
Max.Temp.: -20°C ~200°C

X

Material : Aluminum
Enclosure : IP65
Max.Temp.: -20°C ~100°C

● FLOAT SPECIFICATION

Dimension	Type	AxBxC(mm)	S.G.	Max. Pressure (kg/cm ²)	Material	Max.Temp. (°C)	Approx. Weight (g)
	S3	45x55x15	0.65	12	SUS316	200°C	37.6
	S6	75x108x19	0.5	10	SUS304	200°C	165
	S4	52x52x15	0.55	30	SUS316	200°C	33.4
	S5	75x73x19	0.65	30	SUS304	200°C	102.4
	S8	100x100x20	0.5	30	SUS304	200°C	249.7
	S9	150x150x30	0.45	30	SUS304	200°C	534
	P3	48x45x18.5	0.6	5	PP	80°C	35.5
	F4	48x60x18	0.75	5	PVDF	120°C	65.3

ORDER INFORMATION

FG D C FQ 6 F1 1500 (P)

RESOLUTION

- A: 6.35mm (3-wire)
- B: 12.7mm (3-wire)
- C: 6.35mm (2-wire)
- D: 12.7mm (2-wire)

TERMINAL HOUSING (see page 2)

- B: Aluminum (IP65)
- C: P.P (IP65)
- D: Aluminum (Ex d IIB T3~T6)
- E: AL. (Small space) Ip65
- G: PC (IP65)
- K: Aluminum (Ex d IIB T3~T6)
- N: SUS (Ex d IIB T3~T6)
- : None
- S: Others

CONNECTING TYPE

- | | | |
|-----------------|---------------------------|-------------|
| A: 3/8" (10A) | I: 4" (100A) | P : 300 Lbs |
| B: 1/2" (15A) | J: 5" (125A) | Q : PT |
| C: 3/4" (20A) | K: 6" (150A) | R : PF(G) |
| D: 1" (25A) | 4: 7" (175A) | T : BSP |
| E: 1 1/2" (40A) | 5: 8" (200A) | U : NPT |
| F: 2" (50A) | M : 5 Kg/cm ² | S : Others |
| G: 2 1/2" (65A) | N : 10 kg/cm ² | |
| H: 3" (80A) | O : 150 Lbs | |
- ※ Tri-Clamp 1-1/2"=ES; 2"=FS

TUBE TYPE & MATERIAL

- 4: ϕ 14 (SUS) 7: ϕ 17.2 (SUS)
- 5: ϕ 17.2 (P.P.) 8: ϕ 21.7 (SUS)
- 6: ϕ 16 (PVDF) 9: ϕ 27.2 (SUS)
- 0: ϕ 12.7 (SUS) Only available for resolution 12.7mm.

FLOAT TYPE (see page 2)

Material	Type					
Plastic	P3	F4				
SUS	S3	S4	S5	S6	S8	S9

LENGTH (UNIT : mm)

- 0500:** 50cm (01~50) ※ 50cm per Unit
- 1000:** 100cm (51~100)
- 1500:** 150cm (101~150)

PIPE SHIELD

- ★ Tolerance of the total product length is ± 5 mm.
- ★ Characteristics, specifications and dimensions are subject to change without notice.
- ★ Please contact us for further informations.