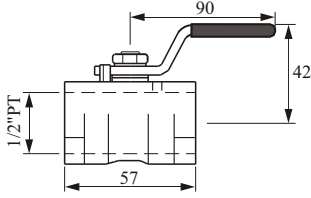
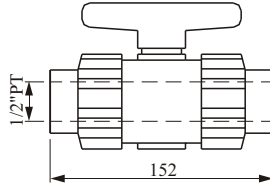


BALL VALVE

TYPE: LN-010

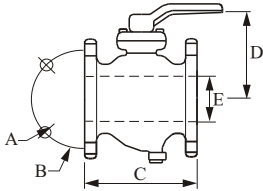


TYPE: LN-020



PART		LN-010	LN-021	LN-022
1	Body Material	SUS316	PP	PVDF
2	Working Temp.	150°C	80°C	120°C
3	Working Pres.	1/2"PT	1/2"PT	
4	Connection	20kg/cm ²	5kg/cm ²	

TYPE: LN-□ 30

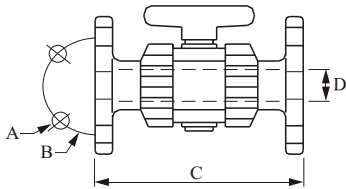


DIMENSIONS

SIZE CODE	3/4"	1"
A, B	ACCORDING TO JIS 10K	
C	120	130
D	90	90
E	21.8	25

PART		LN-□30
1	Body Material	SUS304
2	Working Temp.	150°C
3	Working Pres.	10kg/cm ²
4	Connection	LN-□ 30 └ 2: 3/4" JIS 10K 3: 1" JIS 10K

TYPE: LN-□ 40



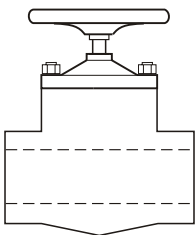
DIMENSIONS

SIZE CODE	3/4"	1"
A, B	ACCORDING TO JIS 10K	
C	172	187
D	18	23

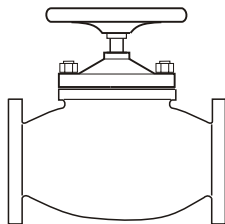
PART		LN-□41	LN-□42
1	Body Material	PP	PVDF
2	Working Temp.	80°C	120°C
3	Working Pres.	5kg/cm ²	
4	Connection	LN-□ 49 └ 2: 3/4" JIS 10K 3: 1" JIS 10K	

High Temp. Control Valve

TYPE: LN-□50



TYPE: LN-□60



PART		LN-□50	LN-□60
1	Body Material	SUS316	SUS316
2	Working Temp.	350°C	350°C
3	Working Pres.	25kg/cm ²	25kg/cm ²
4	Connection	LN-□ 50 └ 2: 3/4"PT 3: 1"PT	LN-□ 60 └ 2: DN15 PN16 3: DN20 PN16

OPTIONS

As shown below the optional accessories can be installed on to a By-Pass Level Indicator to monitor and control the level of the liquid.

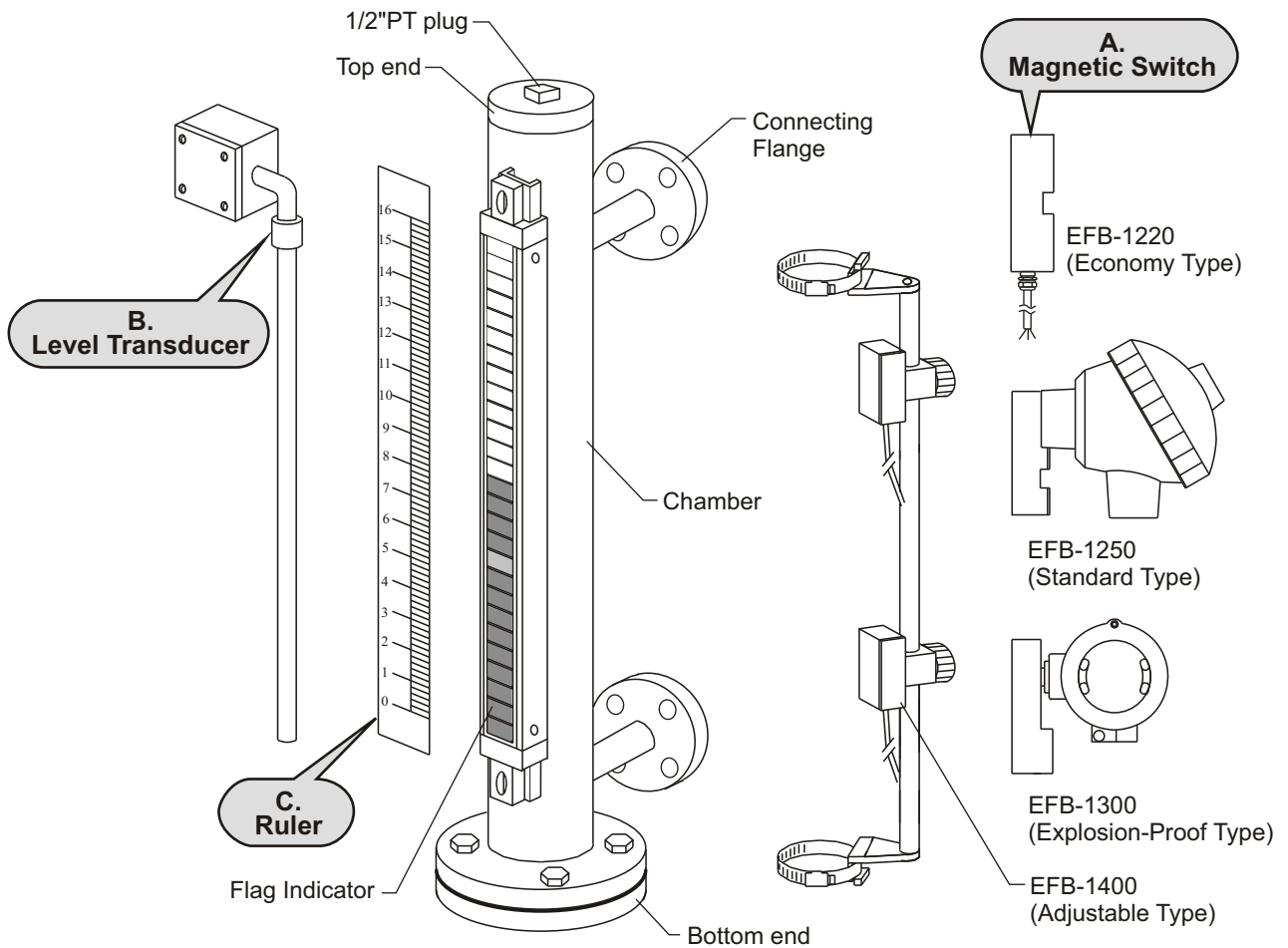
A. Magnetic Switch (see page 15)

- 1) Economy Type : EFB-1220 series
- 2) Standard Type : EFB-1250 series
- 3) Explosion-proof Type : EFB-1300 series
- 4) Adjustable Type : EFB-1400 series

B. Level Transducer (see page 16)

C. Ruler (see page 14)

- 1) Stainless steel in cm : EFA-2110
- 2) Stainless steel in inch : EFA-2120
- 3) Plastic in cm : EFA-2130
- 4) Plastic in inch : EFA-2140

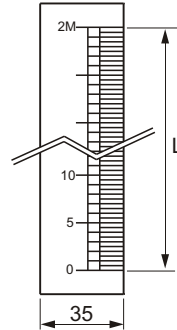


RULER

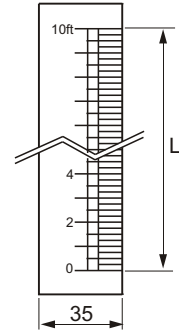
Model No. BPA-2110 (unit: cm)
Order No. EFA-2110

Model No. BPA-2120 (unit: inch)
Order No. EFA-2120

1. Dimension : 35(W)x1.5(T)xL
2. Material : SUS 304
3. Color : Black word
4. Operation Temp. : -20~400°C
5. Length : 5.8M (228")



EFA-2110

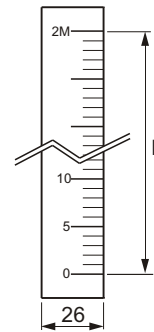


EFA-2120

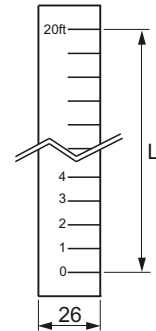
Model No. BPA-2130 (unit: cm)
Order No. EFA-2130

Model No. BPA-2140 (unit: inch)
Order No. EFA-2140

1. Dimension : 26(W)x3(T)xL
2. Material : Plastic
3. Color : Red word
4. Operation Temp. : -20~80°C
5. Length : 5.8M (228")



EFA-2130



EFA-2140

* Custom-made scale is available.

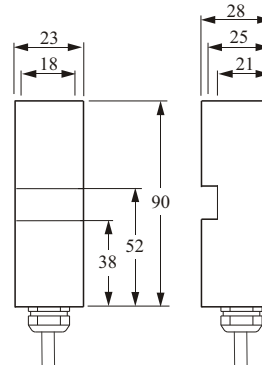
MAGNETIC SWITCH

[ECONOMY TYPE]

Order No. EFB-1220/1230

Model No. BPB-1220/1230

1. Contact Element : Reed Switch
2. Switch Form : EFB-1220, SPDT Hold type
EFB-1230, SPDT Normal type
3. Contact Capacity : 1A /30W / 200Vdc /240Vac
4. Housing Material : Aluminum
5. Operation Temp. : -20~200°C
6. Protection : IP67
7. Cable Length : 1M (Silicon Cable)



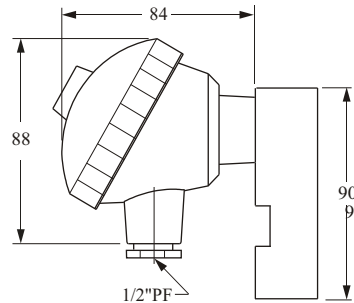
Contact wire color code :
Black : COM
Brown : NC
Blue : NO
Yellow/Green : GND

[STANDARD TYPE]

Order No. EFB-1250/1260

Model No. BPB-1250/1260

1. Contact Element : Reed switch
2. Switch Form : EFB-1250, SPDT Hold type
EFB-1260, SPDT Normal type
3. Contact Capacity : 1A /30W / 200Vdc /240Vac
4. Housing Material : Aluminum
5. Operation Temp. : -20~150°C(max. 250°C)
6. Protection : IP65

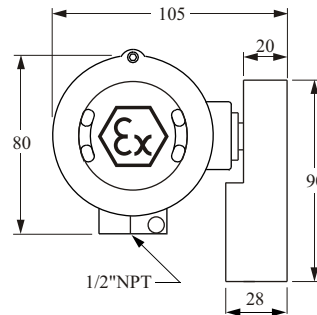


[ENCLOSURE EXPLOSION-PROOF TYPE]

Order No. EFB-1300/1310

Model No. BPB-1300/1310

1. Contact Element : Reed switch
2. Switch Form : EFB-1300, SPDT Hold type
EFB-1310, SPDT Normal type
3. Contact Capacity : 1A /30W / 200Vdc /240Vac
4. Housing Material : Aluminum
5. Operation Temp. : -20~85°C (max. 250°C)
6. Protection : EEx d IIC T6

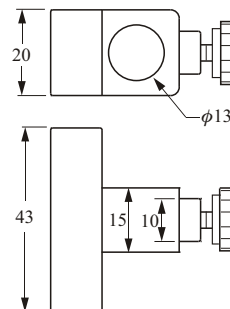


[ADJUSTABLE TYPE]

Order No. EFB-14□□

Model No. BPB-14□□

1. Contact Element : Reed Switch
2. Switch Form : EFB-1400, SPST NO Hold type
EFB-1410, SPST NO Normal type
EFB-1420, SPDT Hold type
EFB-1430, SPDT Normal type
EFB-1450, SPST NO Hold type (LED display)
3. Contact Capacity : 1A /30W / 200Vdc /240Vac
4. Housing Material : PP
5. Operation Temp. : -20~140°C
6. Protection : IP67
7. Cable Length : 2M (PVC Cable)

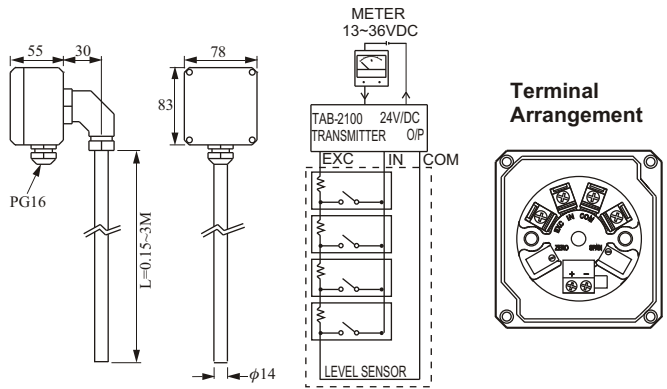


Contact wire color code :
Red : COM,
White : NO
(EFB-1400/ 1410 / 1450)
Black : COM
Red : NC
White : NO (EFB-1420 / 1430)

LEVEL TRANSDUCER

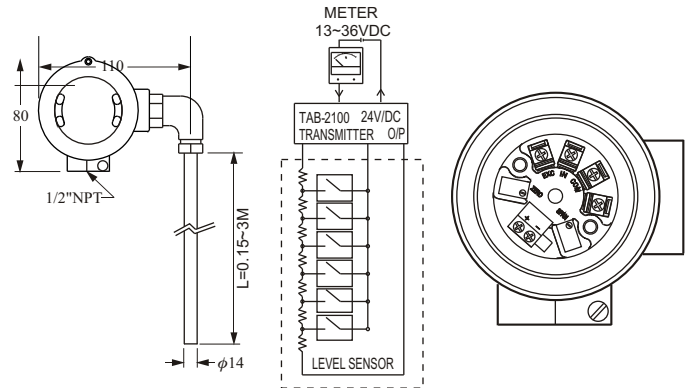
TYPE: FGCG□0

1. Housing material : PC(IP65) 75(W)x80(H)x55(D)
2. Tube : $\phi 14\text{mm}$ / $\phi 17.2$ (length over 3M)
SUS 304 or SUS 316
3. Accuracy : A6.35mm
4. Output : 4~20mA two-wire
5. Power : 13~36Vdc
6. Measuring Range : 0.15~3M / 3~5.8M ($\phi 17.2$)
7. Ambient Temp. : -10~80°C



TYPE: FGCL□0

1. Housing material : Aluminum EEx d IIC T6
2. Tube : $\phi 14\text{mm}$ / $\phi 17.2$ (length over 3M)
SUS 304 or SUS 316
3. Accuracy : A6.35mm
4. Output : 4~20mA two-wire
5. Power : 13~36Vdc
6. Measuring Range : 0.15~3M / 3~5.8M ($\phi 17.2$)
7. Ambient Temp. : -10~80°C



ORDER INFORMATION

FG **A** **G** **4** **0**

RESOLUTION

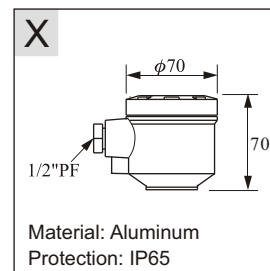
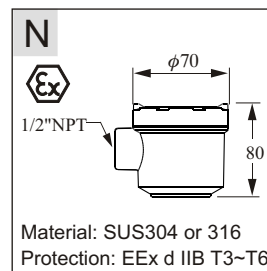
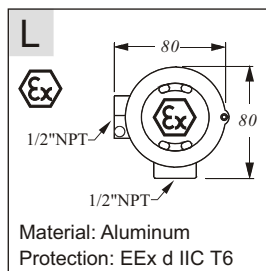
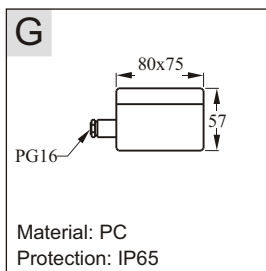
- A: 6.35mm (3-wire)
- C: 6.35mm (2-wire) with TAB-2100

TERMINAL HOUSING

- G: PC (IP65) N: SUS304 or 316 (EEx d IIB T3~T6)
- L: Aluminum (EEx d IIC T6) X: Aluminum (IP65)

TUBE TYPE & MATERIAL

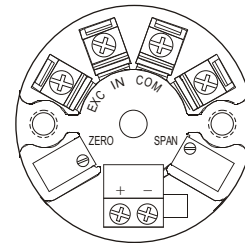
- 4: $\phi 14$ (SUS) 7: $\phi 17.2$ (SUS) 8: $\phi 20$ (PVDF)



TRANSDUCER & TRANSDUCER WIRING DIAGRAMS

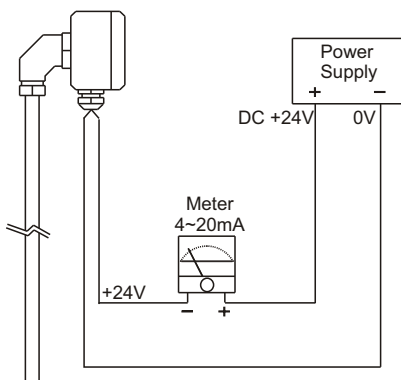
MODEL: TAB-2100 Transducer

- Voltage Supply : Loop power 12~32VDC
- Output Current : 4~20mA
- Load Resistance : $R_L(\text{Max})=50(V_s-8)$
- Operation Temperature : 0 °C~70 °C
- Ambient Humidity : 0 °C~80 °C RH
- Accuracy : $\pm 0.1\%(25\text{ °C})$
- Temperature Effect : 0.5%FS
- Adjustment Range : Span Ajustment 20% FS
Span Ajustment 5% FS

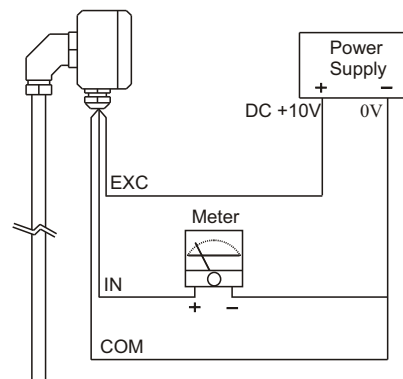


TRANSDUCER WIRING DIAGRAMS

► Level transducer (resistance output) connected with analog meter for level monitoring.



► Level transducer (4~20mA output) connected with 4~20mA analog meter for level monitoring.



► Level transducer (4~20mA output) connected with digital meter (PB-Series) for level control.

