

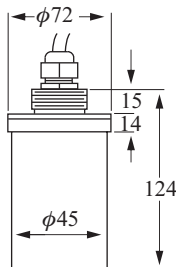
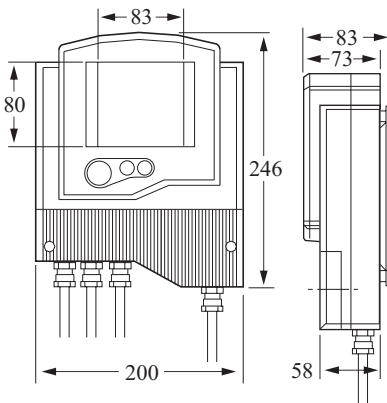
SPECIFICATIONS

Separate type

Model: EA-20



EAB-20 SENSOR
Cable: 15M (std.)



Measuring Range:	Refer to Table (2)
Power Supply:	100~240 VAC, 50~60Hz (std.) (via external power supply)
Operating Temp. (In tank):	-40°C ~ +100°C (-40°F ~ 176°F)
Mounting Screw:	1"NPT(std.) / 1"BSP
Measurement Accuracy:	0.1~0.25% of measuring range
Resolution:	1 mm (0.04")
Housing Type:	Separate
Housing Material:	ABS + UV
Enclosure:	IP65
Beam Angle:	5 @ 3db point
Sensor Material:	Glass reinforced Epoxy
Sensor Housing:	PP (std.) / PVDF
Display:	LCD
Communication (Options):	RS232, RS485 External Modem via RS232 (std.)
Loop Current:	4 wire 4~20mA, 750 Ohm @24VDC
PC Interface/ Remote Prog.:	Options: RS232, RS485
Trigger Points:	10 points (level)
Relays:	5 Independent SPDT
Weight:	2.5 Kg (5.5Lb)
Enclosure Dimensions:	272mm x200mm x 85mm
Certificates:	CE, FCC, 3A

Table (2)

EA-20	Measuring Ranges	Dead Zone	Accuracy
For liquid	12M (39ft.)	0.4M (1.3ft.)	0.2% of Measuring Range
For solid	8.5M (28ft.)	0.4M (1.3ft.)	0.25% of Measuring Range
Open Channels	12M (39ft.)	0.4M (1.3ft.)	0.2% of Measuring Range
Diameter	3M (8.2ft.)	0.5M (1.6ft.)	0.1% of Measuring Range

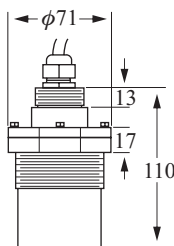
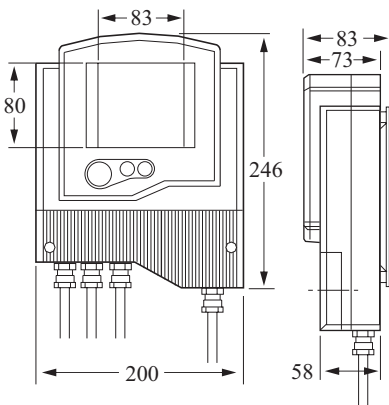
SPECIFICATIONS

Separate type

Model: EA-30



EAB-30 SENSOR
Cable: 25M (std.)



Measuring Range:	Standard: 25M for Liquids 20M for Solids Option: 40M for Liquids (Max) 30M for Solids (Max)
Power Supply:	100~240 VAC, 50~60Hz (std.) (via external power supply)
Operating Temp. (In tank):	-40°C ~ +80°C (-40°F ~ 176°F)
Mounting Screw:	1"NPT / 2"NPT / 1"BSP / 2"BSP
Measurement Accuracy:	0.25% of measuring range
Resolution:	1 mm (0.04")
Housing Type:	Separate
Housing Material:	ABS + UV
Enclosure:	IP65
Beam Angle:	5 @ 3db point
Sensor Frequency:	25KHz
Sensor Housing:	PP (std.) / PVDF
Display:	LCD
Communication (Options):	RS232, RS485 External Modem via RS232 (std.)
Loop Current:	4 wire 4~20mA, 750 Ohm @24VDC
PC Interface/ Remote Prog.:	Options: RS232, RS485
Trigger Points:	10 points (level)
Relays:	5 Independent SPDT
Weight:	2.5 Kg (5.5Lb)
Enclosure Dimensions:	272mm x200mm x 85mm
Certificates:	CE, FCC, 3A