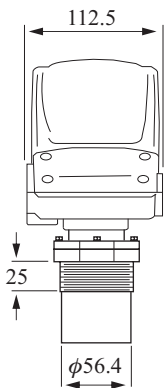
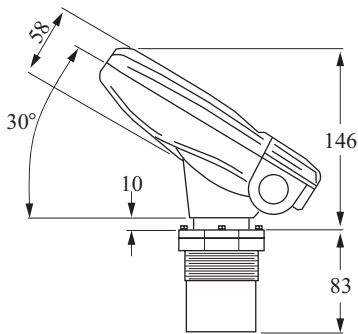


SPECIFICATIONS

Compact Type

**Model: EA-10P(CE)
EA-10F(CE)**



Measuring Range:	Refer to Table (1)
Power Supply:	12~28VDC (0.1A surge)
Operating Temp. (In tank):	-40°C ~ +70°C (-40°F ~ 158°F)
Mounting Screw:	2" NPT(std.) / 2" BSP
Measurement Accuracy:	0.25% of measuring range
Resolution:	3 mm (0.11")I
Housing Type:	Integrated (MonoBlock)
Housing Material:	ABS + UV
Enclosure:	IP65
Beam Angle:	5 @ 3db point
Sensor Material:	Aluminum coated ECTEF
Sensor Housing:	EA-10P: PP, EA-10F: (PVDF)
Display:	LCD (4-digits 7 segments)
Loop current:	2-wire 4~20mA, 750 Ohm @28VDC
Weight:	1.5 Kg (3.3Lb)
Certificates:	CE (EA-10P/F) ATEX (Option)

Table (1)

EA-10	Measuring Ranges	Dead Zone
For liquid (Standard)	15M (49ft.)	0.6M (2ft.)
For liquid (Short Range)	5M (16.5ft.)	0.25M (0.8ft.)
For solid (Standard)	8.5M (28ft.)	0.6M (2ft.)
For solid (Short Range)	5M (16.5ft.)	0.25M (0.8ft.)
For Open Channels	5M (16.5ft.)	0.2M (0.6ft.)