

STANDARD SPECIFICATION

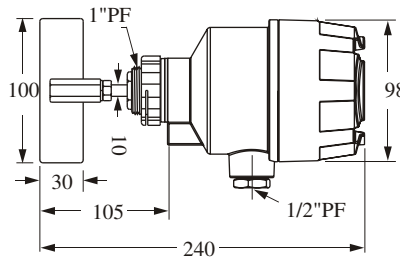
Power source : (A)110Vac,(B)220Vac,(C)240Vac,
(D)24Vac,(E)24Vdc, 50/60Hz
Power consumption : 3W, 11W(DC24V)
Contact capacity : SPDT, 5A/250Vac
Rotary speed : 1 R.P.M.
Insulation test voltage : 2500V

Torque : 0.5 ~1.0 kg-cm
Connect : 1"PF screw or JIS 2-1/2" 5kg/cm² flange
Protection/ material : IP65 / ADC-12
Conduit : 1/2"PF
Specific gravity : 0.5g/cm³ (30Lb/ft³)

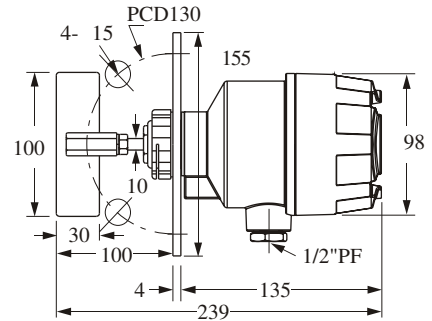
Order No. SE110A/B/C/D/E SCREW TYPE

- Horizontal mounting
- Temp. (-20 C ~ 70 C)
- Weight: 1.2 kg

SE110A/B/C/D/E



SE111A/B/C/D/E



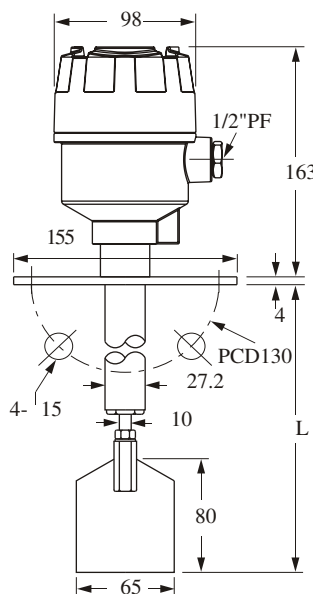
Order No. SE111A/B/C/D/E FLANGE TYPE

- Horizontal mounting
- Temp. (-20 C ~ 70 C)
- Weight: 1.7 kg

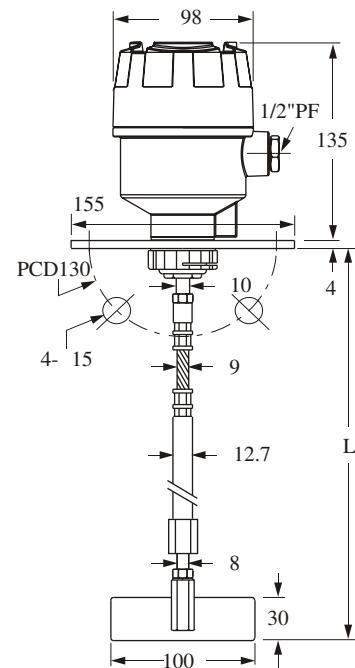
Order No. SE120A/B/C/D/E SHAFT PROTECTIVE TUBE TYPE

- Horizontal /Vertical mounting
- Temp. (-20 C ~ 70 C)
- Weight: 1.2 kg
- The whole section from flange to paddle are made of SUS 304
- Standard Length (option):
L--250mm (2.2 kg)
L--500mm (2.5 kg)
L--750mm (2.8 kg)
- Special length is made by order

SE120A/B/C/D/E



SE130A/B/C/D/E



Order No. SE130A/B/C/D/E SHAFT LENGTH ADJUSTABLE TYPE

- Vertical mounting
- Temp. (-20 C ~ 70 C)
- Standard Length (option):
L-- 450 ~650mm (2.5 kg)
L-- 660 ~1000mm (2.8 kg)
L-- 760 ~1200mm (3.0 kg)
- Special length is made by order

STANDARD SPECIFICATION

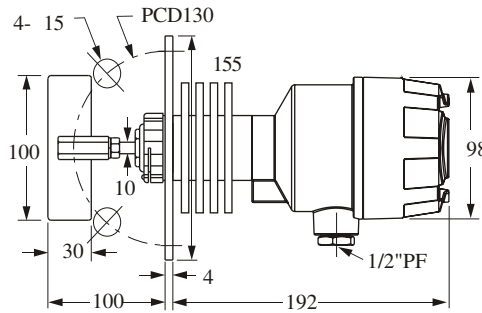
Power source : (A)110Vac,(B)220Vac,(C)240Vac,
(D)24Vac,(E)24Vdc, 50/60Hz
Power consumption : 3W, 11W(DC24V)
Contact capacity : SPDT, 5A/250Vac
Rotary speed : 1 R.P.M.
Insulation test voltage : 2500V

Torque : 0.5 ~1.0 kg-cm
Connect : 1"PF screw or JIS 2-1/2" 5kg/cm² flange
Protection/ material : IP65 / ADC-12
Conduit : 1/2"PF
Specific gravity : 0.5g/cm³ (30Lb/ft³)

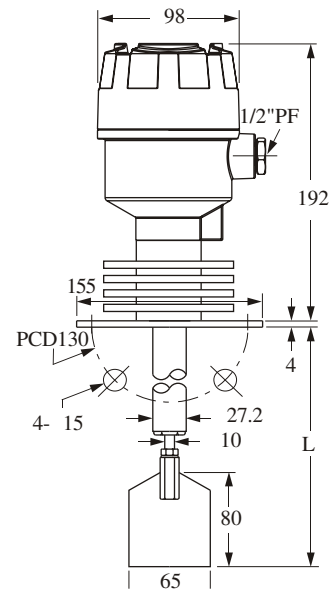
Order No. SE140A/B/C/D/E HI-TEMP TYPE

- Horizontal mounting
- Temp. (-20 C ~ 200 C)
- Weight: 2.1 kg

SE140A/B/C/D/E



SE141A/B/C/D/E



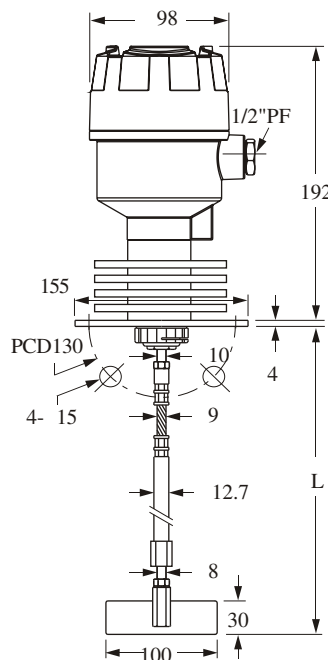
Order No. SE141A/B/C/D/E HI-TEMP SHAFT PROTECTIVE TUBE TYPE

- Horizontal /Vertical mounting
- Temp. (-20 C ~ 200 C)
- The whole section from flange to paddle are made of SUS 304
- Standard Length (option):
L--250mm (2.6 kg)
L--500mm (2.9 kg)
L--750mm (3.2 kg)
- Special length is made by order

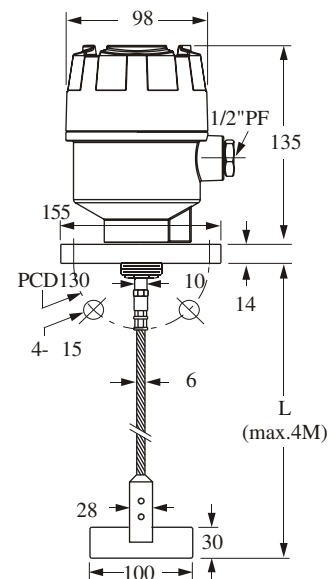
Order No. SE146A/B/C/D/E HI-TEMP SHAFT LENGTH ADJUSTABLE TYPE

- Vertical mounting
- Temp. (-20 C ~ 200 C)
- Standard Length (option):
L-- 450 ~650mm (3 kg)
L-- 660 ~1000mm (3.3 kg)
L-- 760 ~1200mm (3.5 kg)
- Special length is made by order

SE146A/B/C/D/E



SE160A/B/C/D/E



Order No. SE160A/B/C/D/E CABLE WIRE TYPE

- Vertical mounting
- Temp. (-20 C ~ 70 C)
- Standard Length (option):
L-- 450mm (2.5 kg)
L-- 650mm (2.8 kg)
L-- 750mm (3 kg)
- Special length is made by order

STANDARD SPECIFICATION

Power source : (A)110Vac,(B)220Vac,(C)240Vac,
(D)24Vac, 50/60Hz

Power consumption : 1.5W

Contact capacity : 3A/250Vac

Rotary speed : 1 R.P.M.

Protection/ material : IP65 / PC

Temp. : -20 C ~ 70 C

Cable length : 30cm (available for custom length)

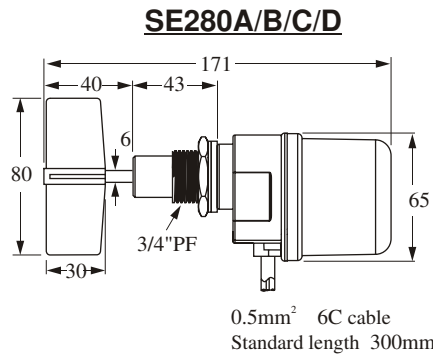
Torque : 30 ~100 g-cm

Specific gravity : 0.3g/cm³ (20Lb/ft³)

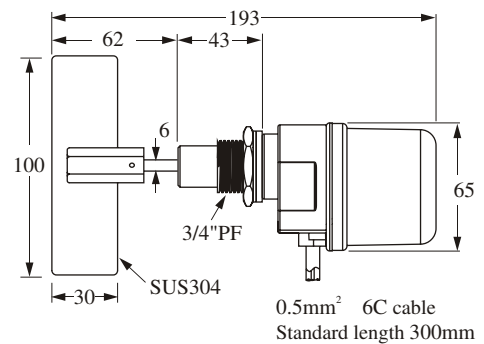
Order No. SE280A/B/C/D

CROSS-LIKE 4
BLADE PADDLE

- Horizontal mounting
- Weight : 0.42 kg



SE280 CRI

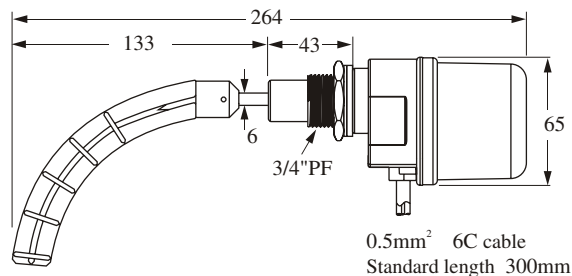


Order No. SE280 CRI

RECTANGLE 100 30
SUS304 PADDLE

- Horizontal mounting
- Weight : 0.48 kg

SE280 CRH

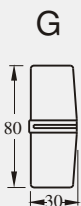


Order No. SE280 CRH

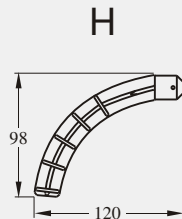
SCIMITAR TYPE
PADDLE

- Horizontal mounting
- Weight : 0.42 kg

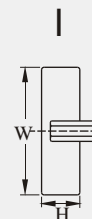
Paddle Introduction (Mini)



(G) Cross type paddle
material: PC



(H) Scimitar type paddle, directly
screwed through 3/4" diameter
fixed hole. Material: PC



(I) 100x30 (WxH)
Material: SUS304

ORDER INFORMATION

Order No. SE ()

ORDER NO.

11 : Standard type 14 : Hi-temp type 28 : Mini type
 120 : Shaft protective tube type 160 : Cable wire type
 130 : Shaft length adjustable type 18 : Mini type

VOLTAGE

A : 110Vac B : 220Vac C : 240Vac D : 24Vac
 E : 24Vdc(SE11 /120/130/14 /160) 50/60Hz

MOUNTING

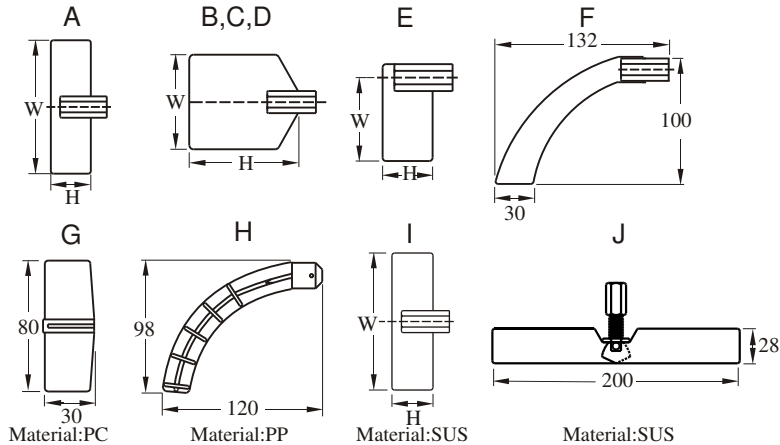
Size for flange or screw		Pressure range or other
C: 3/4"	I : 4"	M: 5kg/cm ²
D: 1"	J : 5"	N: 10kg/cm ²
E: 1-1/2"	K: 6"	O: 150 Lbs
F: 2"	S: Others	P: 300 Lbs
G: 2-1/2"	3: 1-1/4"	Q: PT
H: 3"		R: PF (G)
		T: BSP
		U: NPT
		S: Others

* SE110~SE160 series:
 The size of connecting screw is 1".

PADDLE SHAPES

SE110~SE170

A : 100 30 (W H)
 B : 65 80 (W H)
 C : 65 120 (W H)
 D : 80 80 (W H)
 E : 50 30 (W H)
 F : Scimitar
 J :
 S : others - : None



SE180 (Mini paddle type)

G : Cross type paddle
 H : Scimitar type paddle
 I : 100x30 (WxH)

LENGTH (mm)

0500: 50cm (01~50)
1000: 100cm (51~100)
1500: 150cm (101~150)
 ※ 50cm per Unit

SE110~170 L: The distance from flange to paddle.
 Se180 L: Length of cable.
 The total length of item will be allowed a tolerance to 6mm.

* Order Notice

1. Please make sure the Voltage 24Vac, 110Vac, 220Vac or 240Vac, 50/60 Hz.
2. Please make sure the side or top mounting.
3. Please make sure the material specific gravity (S.G.) value.
4. Please make sure whether any bridge block or vibrating motor installed onto the tank wall.
 Please try to apply our item SA140 capacitance level sensor.
5. Please make sure the rotary paddle size is available to enter into the flange inlet.