

ENCLOSURE EXPLOSION PROOF

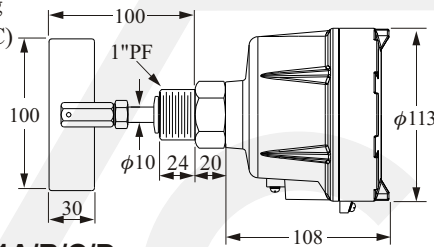
NEPSI PROOF No. GYJ03347 Ex d IIB T3~T6
 PTB PROOF No. 05 ATEX 1029 Ex II 2G EEx d IIB T3~T6
 Ex II 2D IP65 T3~T6

- Power source : A-110Vac, B-220Vac, C-240Vac, 50/60Hz
- Power consumption : 3W
- Contact capacity : SPDT, 3A/250Vac
- Rotary speed : 1 R.P.M.
- Insulation test voltage : AC 1500V x 1minute
- Torque : 0.5 ~1.0 kg-cm

- Connect : 1"PF screw or flange 1"~6"
2-1/2" x 5kg/cm² (std.)
- Enclosure material : AL Alloy, ADC-12
- Enclosure Protection : Ex d IIB T4~T6
- Conduit : 1/2" (std.) or 3/4"NPT
- Specific gravity : 0.5g/cm³ (30Lb/ft³)

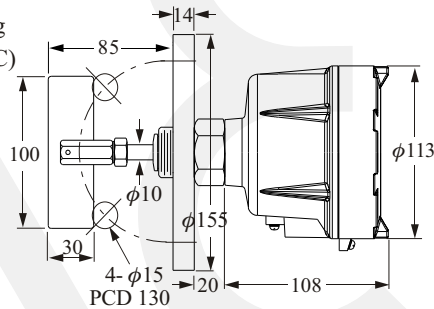
Order No. SE170A/B/C/D
Model No. RP70A/B/C/D
 EXPLOSION PROOF
 SCREW TYPE

- Horizontal mounting
- Temp. (-10°C ~ 70°C)



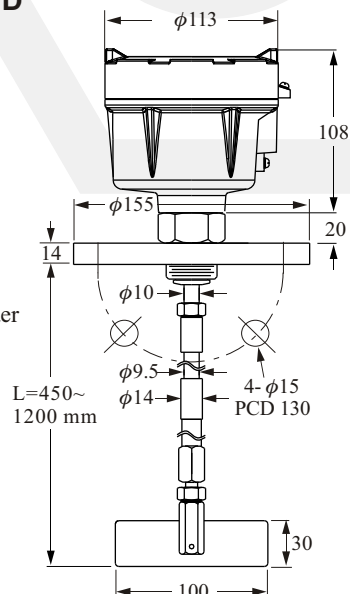
Order No. SE171A/B/C/D
Model No. RP71A/B/C/D
 EXPLOSION PROOF
 FLANGE TYPE

- Horizontal mounting
- Temp. (-10°C ~ 70°C)



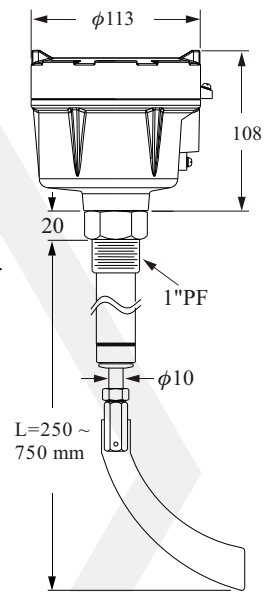
Order No. SE173A/B/C/D
Model No. RP73A/B/C/D
 EXPLOSION PROOF
 SHAFT LENGTH
 ADJUSTABLE TYPE

- Vertical mounting
- Temp. (-10°C ~ 70°C)
- Standard Length (option):
 L-- 450 ~650mm
 L-- 660 ~1000mm
 L-- 760 ~1200mm
- Special length is made by order



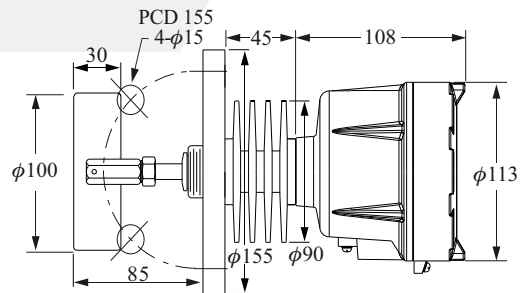
Order No. SE172A/B/C/D
Model No. RP72A/B/C/D
 EXPLOSION PROOF
 SHAFT PROTECTIVE
 TUBE TYPE

- Horizontal /Vertical mounting
- Temp. (-10°C ~ 70°C)
- Standard Length (option):
 L-- 250mm
 L-- 500mm
 L-- 750mm
- Special length is made by order



Order No. SE174A/B/C/D
Model No. RP74A/B/C/D
 EXPLOSION PROOF
 HI-TEMP TYPE

- Horizontal mounting
- Temp. (-10°C ~ 200°C)



ENCLOSURE EXPLOSION PROOF

NEPSI PROOF No. GYJ03347 Ex d IIB T3~T6
 PTB PROOF No. 05 ATEX 1029 Ⓢ II 2G EEx d IIB T3~T6
 Ⓢ II 2D IP65 T3~T6

Order No. SE175A/B/C/D
Model No. RP75A/B/C/D
 EXPLOSION PROOF
 HI-TEMP SHAFT
 PROTECTIVE TUBE TYPE

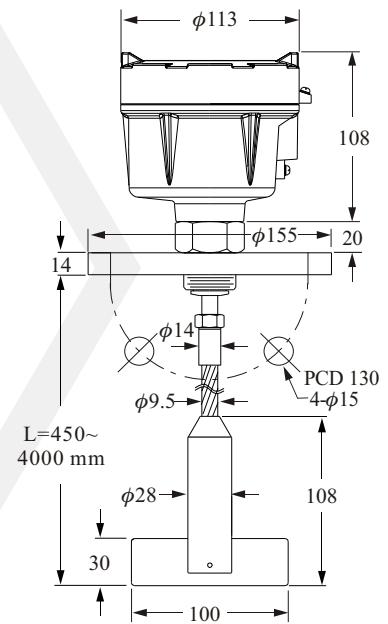
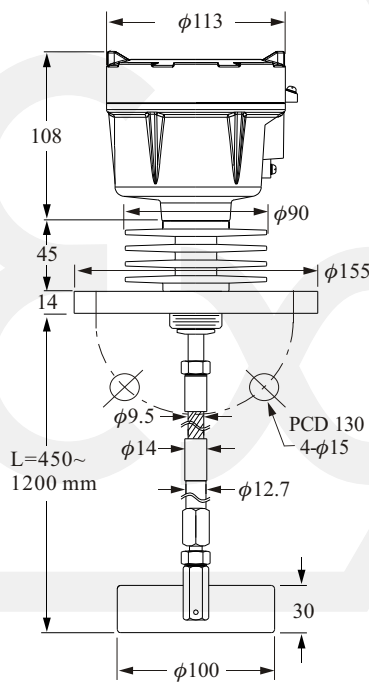
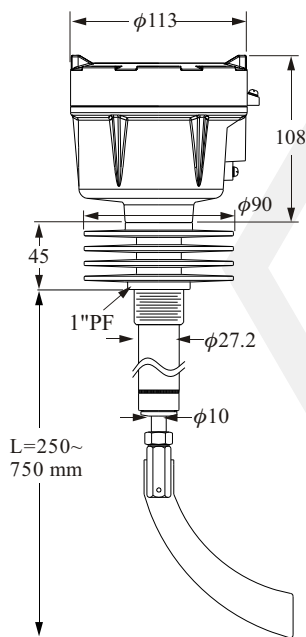
- Horizontal /Vertical mounting
- Temp. (-10°C ~ 200°C)
- Special length is made by order

Order No. SE176A/B/C/D
Model No. RP76A/B/C/D
 EXPLOSION PROOF
 HI-TEMP SHAFT LENGTH
 ADJUSTABLE TYPE

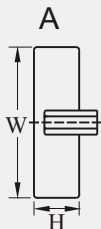
- Vertical mounting
- Temp. (-10°C ~ 200°C)
- Special length is made by order

Order No. SE177A/B/C/D
Model No. RP77A/B/C/D
 EXPLOSION PROOF
 CABLE WIRE TYPE

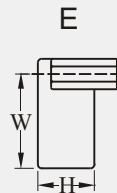
- Vertical mounting
- Temp. (-10°C ~ 200°C)
- Special length is made by order



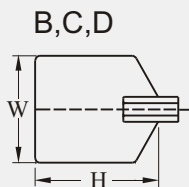
■ Paddle Introduction (Big)



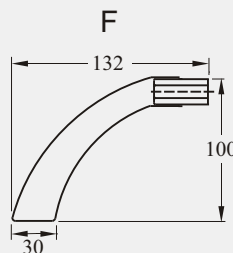
(A) 100x30 (WxH), Min. fixed hole diameter size φ90mm.



(E) 50x30 (WxH), Suitable for high S.G. raw material, application by small size paddle to decrease the material flowing impact directly.



(B) 65x80 (WxH), Directly mounted into 2" fixed hole.
 (C) 65x120 (WxH), Directly mounted into 2" fixed hole.
 (D) 80x80 (WxH)



(F) Scimiter type paddle, Directly screwed through 1" diameter fixed hole, It is more easy to be mounted dispense with labor of tank cut-out.

ORDER INFORMATION

Order No. SE1 **7** ()
 Model No. RP **7** ()

ORDER NO. _____

- | | |
|--|--|
| 70 : RP70 Screw type | 74 : RP74 Hi-temp type |
| 71 : RP71 Flange type | 75 : RP75 Hi-temp shaft protective tube type |
| 72 : RP72 Shaft protective tube type | 76 : RP76 Hi-temp shaft length adjustable type |
| 73 : RP73 Shaft length adjustable type | 77 : RP77 Cable wire type |

VOLTAGE _____

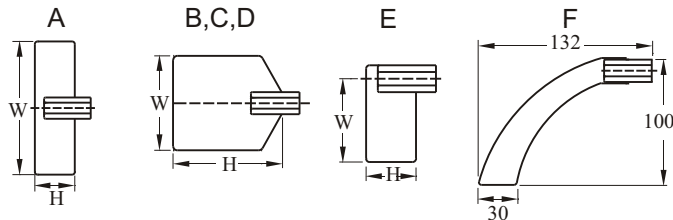
A : 110Vac B : 220Vac C : 240Vac

MOUNTING _____

Size for flange or screw		Pressure range or other
C: 3/4"	I: 4"	M: 5kg/cm ²
D: 1"	J: 5"	N: 10kg/cm ²
F: 2"	K: 6"	O: 150 Lbs
G: 2-1/2"	S: Others	P: 300 Lbs
H: 3"	3: 1-1/4"	Q: PT
		R: PF (G)
		T: BSP
		U: NPT
		S: Others

PADDLE SHAPES _____

- A: 100x30 (WxH)
- B: 65x80 (WxH)
- C: 65x120 (WxH)
- D: 80x80 (WxH)
- E: 50x30 (WxH)
- F: Scimitar
- S: Others



LENGTH (mm) _____

- 0500: 50cm (01~50)
- 1000: 100cm (51~100)
- 1500: 150cm (101~150)
- ※ 50cm per Unit

The total length of item will be allowed a tolerance to 6mm.

*** Order Notice**

1. Please make sure the Voltage 24Vac, 110Vac, 220Vac or 240Vac, 50/60 Hz.
2. Please make sure the side or top mounting.
3. Please make sure the material specific gravity (S.G.) value.
4. Please make sure whether any bridge block or vibrating motor installed onto the tank wall.
Please try to apply our item SA140 capacity sensor.
5. Please make sure the rotary paddle size is available to enter into the flange inlet.